

# LG-05PT4D94H-5118Y-T1

## PHOTOTRANSISTOR

### DATA SHEET

SPEC. NO. : SZ21032901  
DATE : 2021/03/29  
REV. : A/0

Approved By:

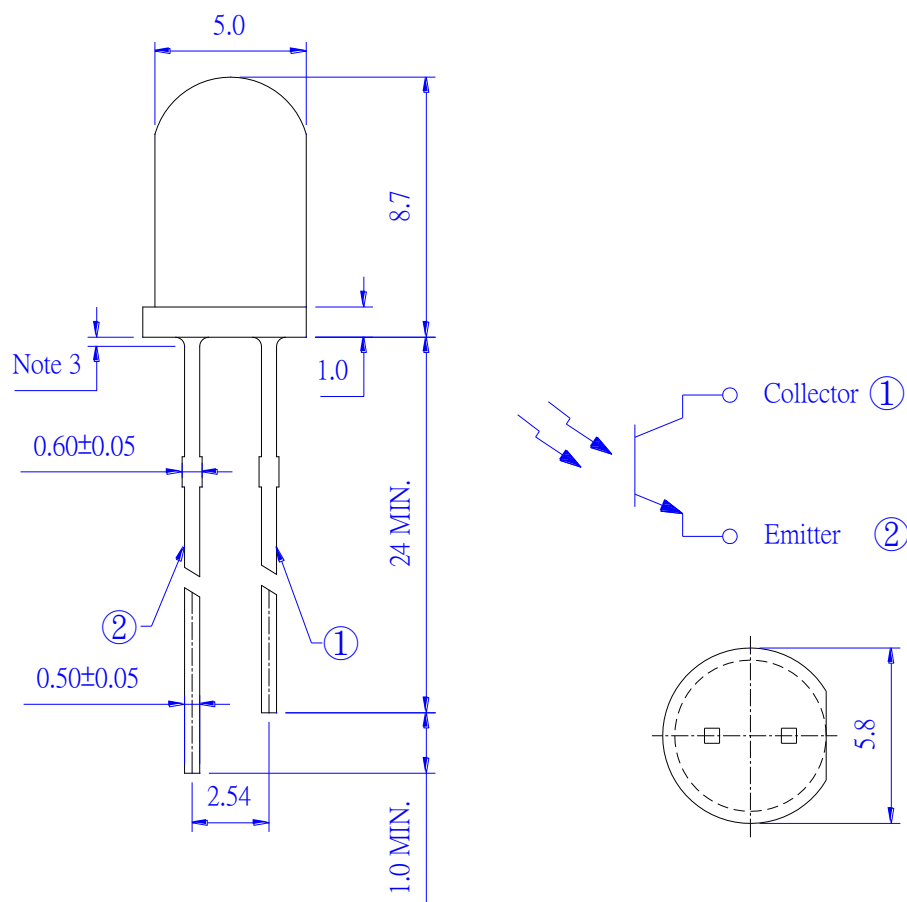
Checked By:

Prepared By:

## Features

- ◆ Pb free product—RoHS compliant
- ◆ High Photo Sensitivity
- ◆ General purpose leads
- ◆ Reliable and rugged
- ◆ Long life – solid state reliability

## Package Dimension



Part NO.	Chip Material	Lens Color
LG-05PT4D94H-5118Y-T1	Silicon	Black

### Notes:

1. All dimensions are in millimeters.
2. Tolerance is  $\pm 0.20\text{mm}$  unless otherwise noted.
3. Protruded resin under flange is 0.5mm max.
4. Lead spacing is measured where the leads emerge from the package.
5. Specifications are subject to change without notice.

## Absolute Maximum Ratings at Ta=25°C

Parameter	Maximum Rating	Unit
Power Dissipation	100	mW
Collector- Emitter Voltage	30	V
Emitter- Collector Voltage	5	V
Operating Temperature	-40°C ~+85°C	
Storage Temperature Range	-40°C ~+100°C	
Lead Soldering Temperature	260°C for 5 seconds	

### Note:

#### 1. Storage:

The storage ambient for the LEDs should not exceed 30 °C temperature or 70% relative humidity. It is recommended that LEDs out of their original packaging are used within three months. For extended storage out of their original packaging, it is recommended that the LEDs be stored in a sealed container with appropriate desiccant or in desiccators with nitrogen ambient.

#### 2. Precautions in handling:

- When soldering, leave 2mm of minimum clearance from the resin to the soldering point.
- Dipping the resin to solder must be avoided.
- Correcting the soldered position after soldering must be avoided.
- In soldering, do not apply any stress to the lead frame particularly when heated.
- When forming a lead, make sure not to apply any stress inside the resin.
- Lead forming must be done before soldering.
- It is necessary to cut the lead frame at normal temperature.

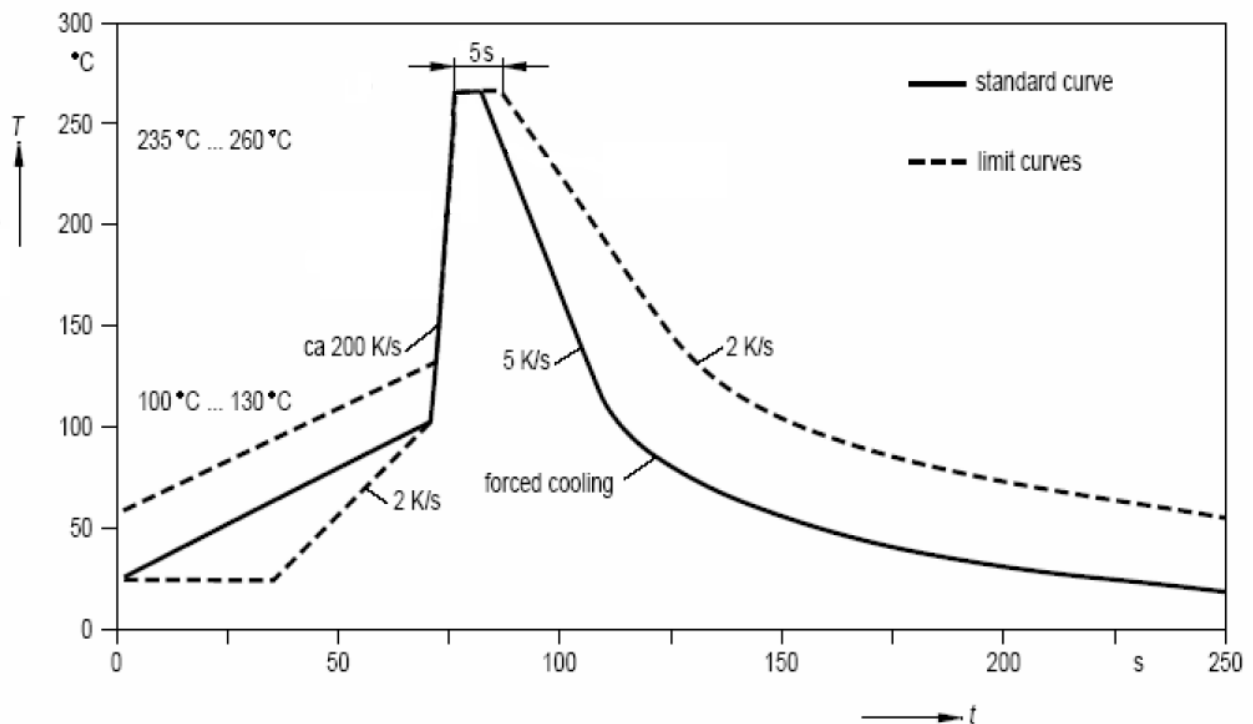
## Electrical Optical Characteristics at Ta=25°C

PARAMETER	SYMBOL	MIN	TYP	MAX	UNITS	TEST CONDITIONS
Collector- Emitter Breakdown Voltage	$V_{(BR)CEO}$	30	---	---	V	$I_C=0.1mA$ $E_e=0mW/cm^2$
Emitter-Collector Breakdown Voltage	$V_{(BR)ECO}$	5	---	---	V	$I_R=0.1mA$ $E_e=0 mW/cm^2$
Collector- Emitter Saturation Voltage	$V_{CE(SAT)}$	---	---	0.4	V	$I_C=2mA$ $E_e=1.0mW/cm^2$
Rise Time	$T_r$	---	15	---	$\mu S$	$V_{CC}=5V$ $R_L=1K\Omega$ $I_C=1mA$
Fall Time	$T_f$	---	15	---	$\mu S$	$V_{CC}=5V$ $R_L=1K\Omega$ $I_C=1mA$
Viewing Angle	$2\theta_{1/2}$	---	18	---	Deg.	
Collector Dark Current	$I_{CEO}$	---	---	100	nA	$V_{CE}=10V$ $E_e=0 mW/cm^2$
On State Collector Current	$I_{C(ON)}$	---	20.0	---	mA	$V_{CE}=5V$ $E_e=1.0mW/cm^2$

### Note:

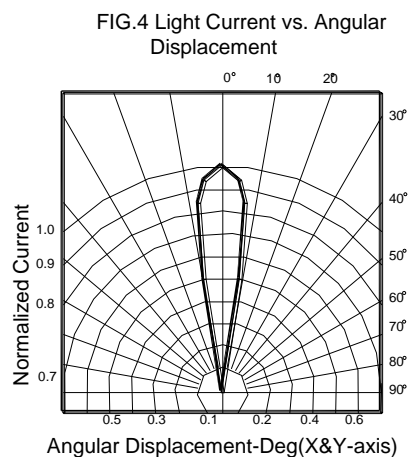
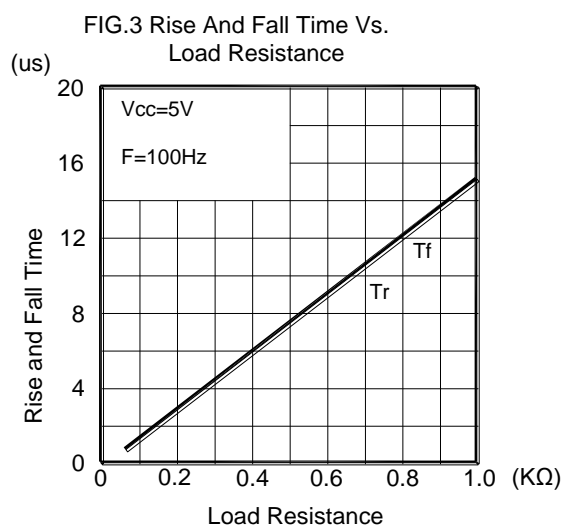
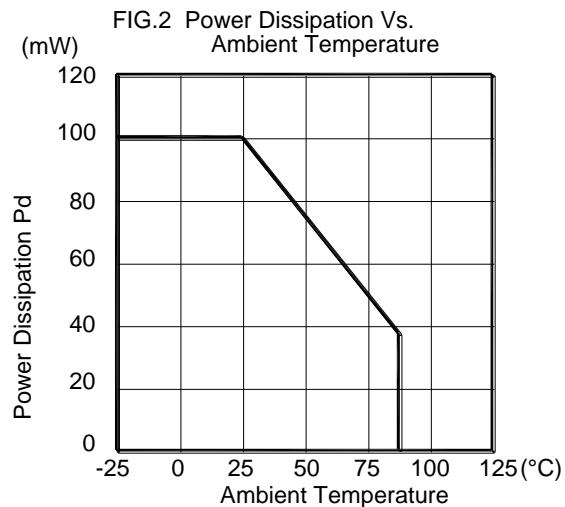
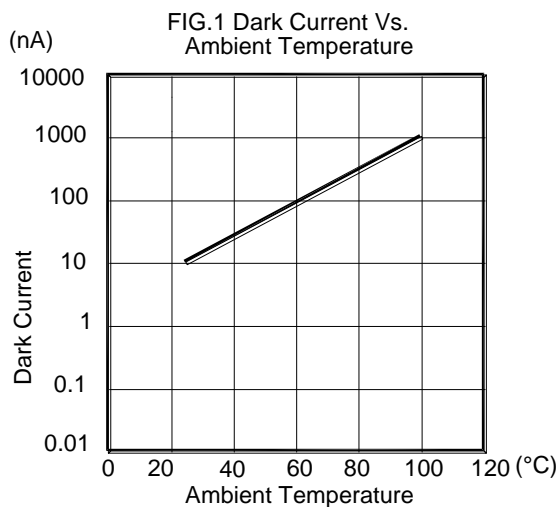
1.  $2\theta_{1/2}$  is the off-axis angle at which the  $I_{C(ON)}$  is half the axial  $I_{C(ON)}$ .
2. The  $I_{C(ON)}$  guarantee should be added  $\pm 15\%$  tolerance.

### Recommended Wave Soldering Profile

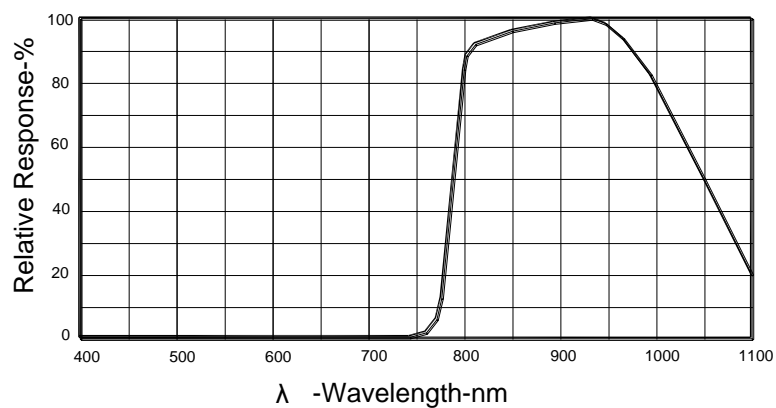


## Typical Electrical / Optical Characteristics Curves

(25°C Ambient Temperature Unless Otherwise Noted)



**FIG.5 Relative Response vs. Wavelength**



## LED MOUNTING METHOD

1. The lead pitch of the LED must match the pitch of the mounting holes on the PCB during component placement. Lead-forming may be required to insure the lead pitch matches the hole pitch. Refer to the figure below for proper lead forming procedures.(Fig.1)

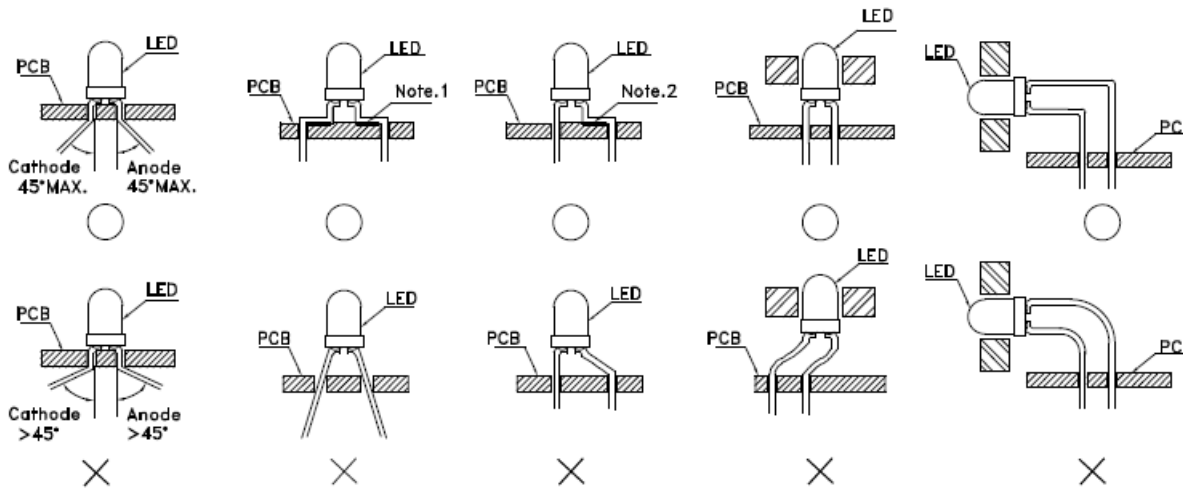


Figure 1

“○” Correct mounting method, “×” Incorrect mounting method , Note 1-2:Do not route PCB Trace in the contact area between the lead frame and the PCB to prevent short-circuit.

2. When soldering wire to the LED, use individual heat-shrink tubing to insulate the exposed leads to prevent accidental contact short-circuit (Fig.2)

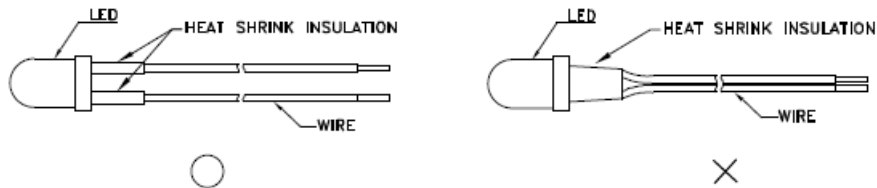


Figure 2

3. Use stand-offs (Fig.3) or spacers (Fig.4) to securely position the LED above the PCB.

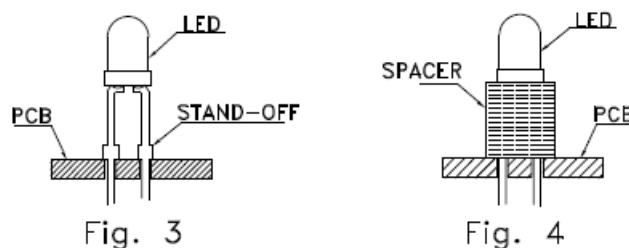


Fig. 3

Fig. 4

## LEAD FORMING PROCEDURES

1. Maintain a minimum of 2mm clearance between the base of the LED lens and the first lead bend (Fig.5 and Fig.6).

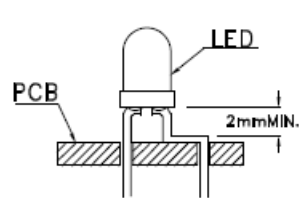


Fig. 5

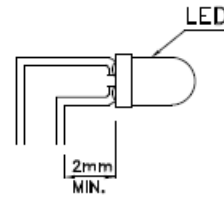


Fig. 6

2. Lead forming or bending must be performed before soldering, never during or after soldering.

3. Do not stress the LED lens during lead-forming in order to fractures in the lens epoxy and damage the internal structures.

4. During lead forming, use tools or jigs to hold the leads securely so that the bending force will not be transmitted to the LED lens and its internal structures. Do not perform lead forming once the component has been mounted onto the PCB (Fig.7).

5. Do not bend the leads more than twice(Fig.8)

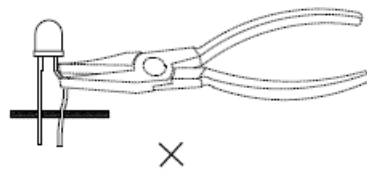


Fig. 7

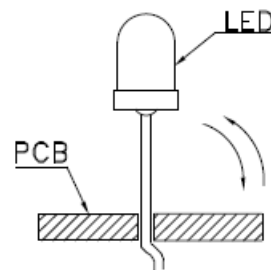


Fig. 8

6. After soldering or other high-temperature assembly, allow the LED to cool down to 50 °C before applying force (Fig.9).In general, avoid placing excess force on the LED to avoid damage. For any questions please consult with LIGHT representative for proper handling procedures.

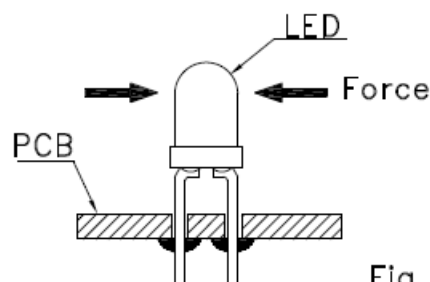
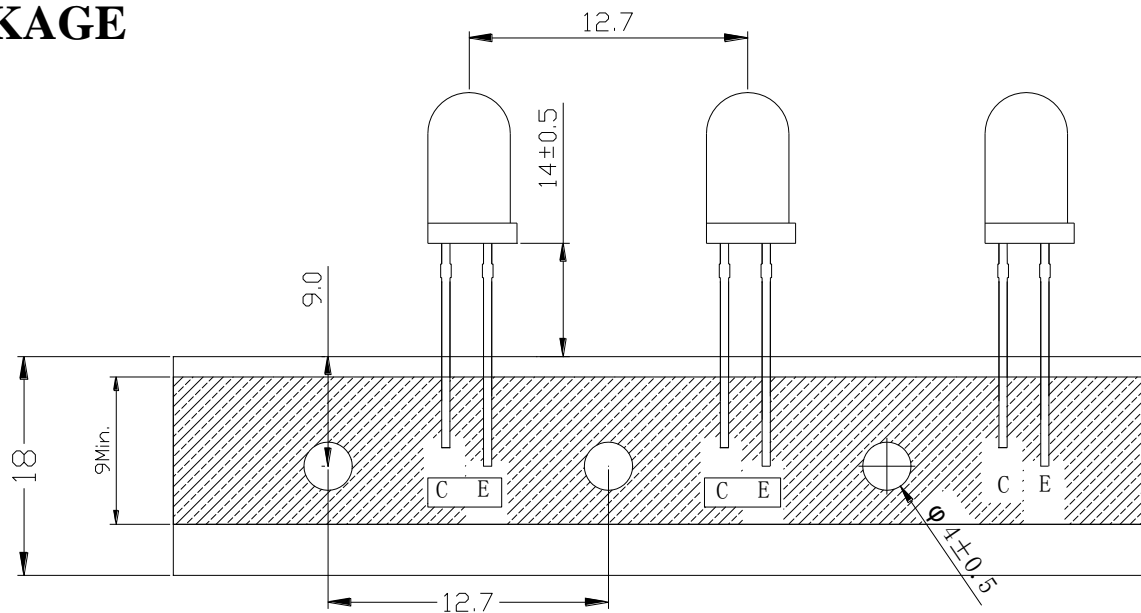
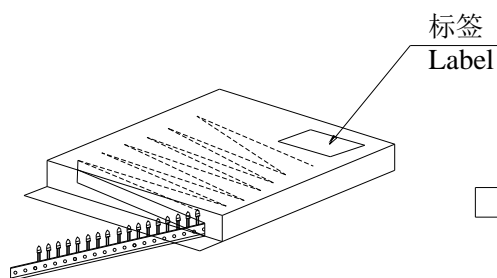


Fig. 9

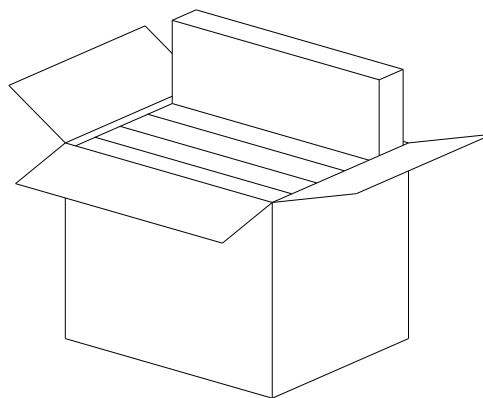
## PACKAGE



All dimensions are in millimeters. Tolerance is  $\pm 0.20\text{mm}$  unless otherwise noted.



内盒包装  
Inner Cardboard Box



外包装箱  
Outer Cardboard Box

标签 Label

包装 Packaging Unit	数量 Quantity
内包装盒 Inner Cardboard Box	2000 只/盒 2000 pcs/box
外包装箱 Outer Cardboard Box	20 盒/箱 20 boxes/box

<b>LIGHT</b>	深圳莱特光电股份有限公司 Light Electronics CO., LTD.	
TYPE NO. :	_____	
QUANTITY:	_____	
BIN:	_____	
DATE CODE:	_____	
REMARKS:	_____	
		LOT NO. : _____

## Others

The appearance and specifications of the product may be modified for improvement, without prior notice.



**PHOTO TRANSISTOR Diode Specification**

●Commodity: PHOTO TRANSISTOR

●Ic(on) Bin Limits

BIN CODE	Min. (mA)	Max. (mA)
68	18.0	28.0
69	28.0	33.6

**NOTE:** The Ic(on) guarantee should be added  $\pm 15\%$  tolerance.